

PlateRite Niagara

Thermal Plate Recorders



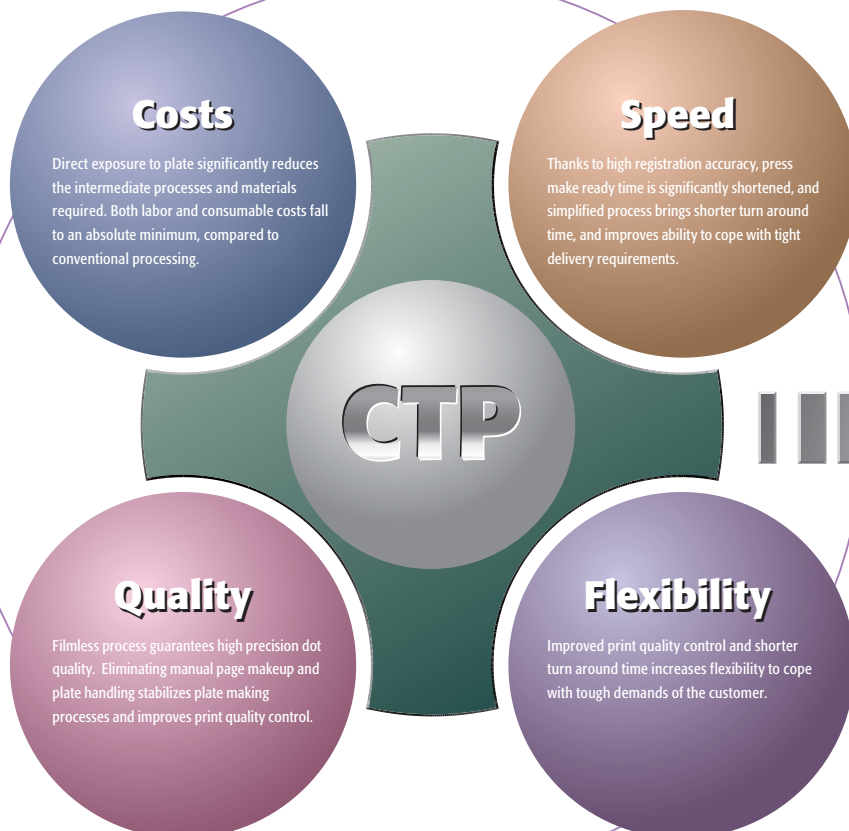
Creating a Future in Print

CtP

Achieve Efficient Plate Making Process

Computer-to-plate (CtP) systems like the PlateRite Niagara are capable of recording digital data created in DTP directly onto the printing plate for printing. In conventional processes, data is first output to film and then this film is used for exposing a printing plate. CtP removes these steps, decreasing plate-making cost and increasing processing speed.

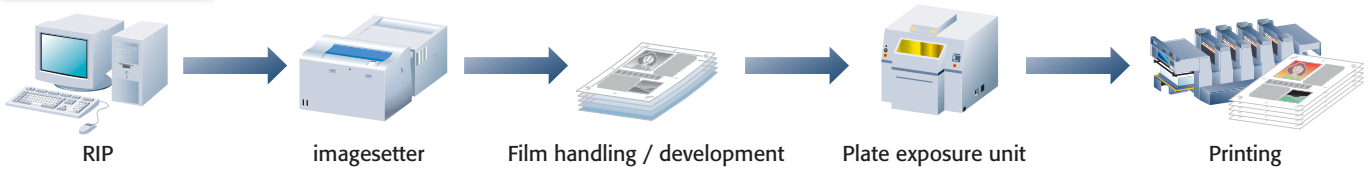
In addition, CtP enables the digital data created at the design stage to be exposed directly onto the printing plate with high accuracy. This eliminates troubles that frequently happen in the conventional processes, which involve many steps taking place before the original data is imaged onto the printing plate.



CtP advantages

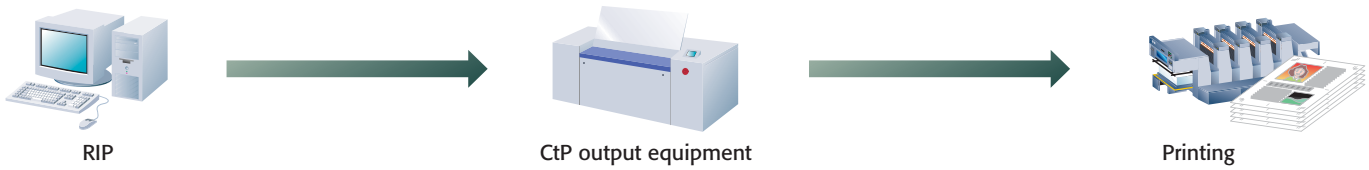
- Simplified processing and reduced labor requirements
- Higher speed and lower costs
- Greater flexibility and improved user satisfaction

Conventional



CtP

Minimization of intermediate processing reduces the output of both liquid and solid wastes. This low-impact system allows the creation of an environmentally friendly workflow.

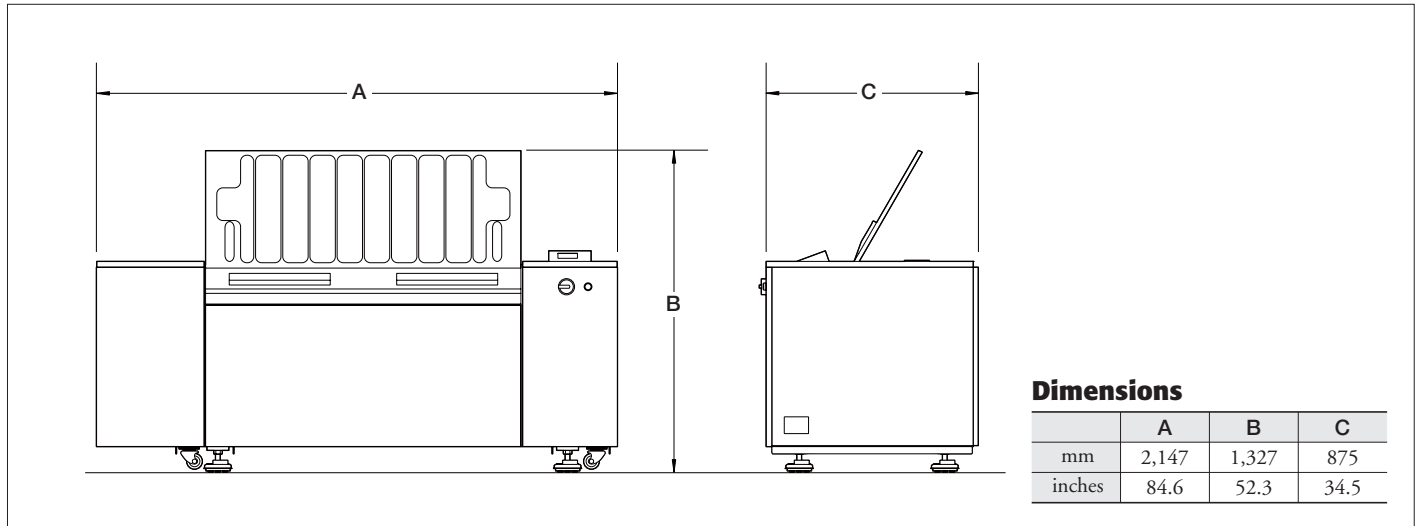


Thermal Plate Recorder PlateRite Niagara

- Incorporates a new exposure head, developed utilizing Screen's advanced laser and optical technologies which have been proven with the existing PlateRite series. Offers all the advantages of thermal CtP's high quality, high precision, and cost performance.
- Features a space-saving, compact design. Using thermal plates eliminates the need for a controlled light environment, which is needed when using violet plates. Enables efficient use of the production workspace.
- Simple plate loading and unloading contribute to the efficiency of the plate-making process.

Implementing the PlateRite Niagara brings Cost, Speed, Quality, and Flexibility benefits to your plate making processes.

Space requirements



PlateRite Niagara specifications

Recording system	External drum
Light source	84-channel laser diode
Plate size *1,2	Maximum: 1,060 x 820 mm (41.7" x 32.2") Minimum: 450 x 370 mm (17.8" x 14.6")
Exposure size	1,060 x 804 mm (41.7" x 31.6")
Media thickness	0.15 to 0.3 mm (6 to 11.8 mil)
Media Thermal plates	Thermal plates
Resolution*3	2400, 2438, 2540 dpi
Productivity *4	11 plates/hr at 2,400 dpi (1,030 x 800 mm/40.5" x 31.4")
Interface	F-PIF
Dimensions (W x D x H)	2,147 x 875 x 1,327 mm (84.6" x 34.5" x 52.3") (incl. transfer guide)
Weight	655 kg (1,441 lb) (incl. built-in blower)
Power requirements	Single phase 200 V to 240 V, 15 A, 3.0 kW (Approved UL, CSA) Single phase 220 V to 240 V, 15 A, 3.0 kW (Declared CE)
Environment	Recommended: 21 to 25°C (69.8 to 77°F), Required: 18 to 26°C (64.4 to 78.8°F) Relative humidity: 40 to 70% (no condensation)
Optional accessories	Signal tower unit

*1. When the factory option is fitted, the minimum plate size is 304 x 370 mm.

*2. Plates with widths from 570 to 624 mm (22.5" x 24.5") cannot be used.

*3. You must use a 7.1° screen with these resolutions. There are currently no halftone dots that can be used at 2,438/2,540 dpi. Please consult your sales representative for more information.

*4. Productivity may vary depending on the media sensitivity.

DAINIPPON SCREEN MFG. CO., LTD.

HEAD OFFICE

• Teranouchi-agaru 4-chome, Horikawa-dori, Kamigyo-ku, Kyoto, 602-8585 Japan/Phone +81-75-414-7610/Fax +81-75-414-7608

SCREEN (USA)

• 5110 Tollview Dr., Rolling Meadows, IL 60008, USA/Phone 847-870-7400/Fax 847-870-0149 www.screenusa.com

DAINIPPON SCREEN (DEUTSCHLAND) GmbH

• Mündelheimer Weg 33, 40472 Düsseldorf, Germany/Phone 0211-472701/Fax 0211-4727199/Telex 858-4438 DSDD D

DAINIPPON SCREEN (U.K.) LTD.

• Michigan Drive, Tongwell, Milton Keynes, Buckinghamshire MK15 8HT, UK/Phone 01908-848500/Fax 01908-848501 www.screen.co.uk

DAINIPPON SCREEN (NEDERLAND) BV

• Bouwerij 46, 1185 XX Amstelveen, Holland/Phone 020-4567800/Fax 020-4567805 www.screen europe.com

SCREEN FRANCE

• 10 allée des Cascades, Immeuble Niagara, Z.I. Paris Nord 2, 95940 Roissy C.D.G. Cedex, France/Phone +33 (0)1 48178600/Fax +33 (0)1 48178601

DAINIPPON SCREEN SINGAPORE PTE. LTD.

• 29, Kaki Bukit View, Kaki Bukit Techpark II, Singapore 415963/Phone 67493833/Fax 67499010 www.screen sp.com.sg

DAINIPPON SCREEN (CHINA) LTD.

• Room 2001 - 2003, 20/F Cable TV Tower 9 Hoi Shing Road Tsuen Wan, N.T. Hong Kong/Phone +852-2953-0038/Fax +852-2755-8683

Beijing office/Phone 010-6708-9271, 9272, 9273/Fax 010-6708-9395

Shanghai office/Phone 021-6466-4501/Fax 021-6466-4503

Guangzhou office/Phone 020-3891-1112/Fax 020-3891-1036

DAINIPPON SCREEN (TAIWAN) CO., LTD.

• 4F No. 126-1, Ming Tsu West Rd., Taipei, Taiwan/Phone 02-25862711/Fax 02-25914367

DAINIPPON SCREEN (KOREA) CO., LTD.

• 10th Yonsei Bongsae B/D 4F-2, 1Ga, Bongsae-Dong, Joong-Gu, Seoul 100-161, Korea/Phone 02-7766-786/Fax 02-7766-787

DAINIPPON SCREEN (AUSTRALIA) PTY. LTD.

• Suite 11, 2 Eden, Park Drive, Macquarie, NSW2133, Australia/Phone 02-9310-1314/Fax 02-9310-3566

Internet web site : www.screen.co.jp

www.screenusa.com

www.screen europe.com

- This brochure was made using SPEKTA 2 screening.
- Printed on recycled paper.



We reserve the right to alter product design and specifications without prior notice.

No.205-111E Printed in Japan 02-08 040FSI(R1-1)