

PlateRite Ultima 16000II

Thermal Plate Recorders



Creating a Future in Print

Advanced imaging for higher quality and better productivity

The PlateRite Ultima 16000II is the latest generation of the PlateRite Ultima 16000 series.

The 16000 series can image a maximum plate size of 1,470 x 1,165mm and is ideally suited for a wide-range of applications such as packaging, book and commercial printing. All the PlateRite Ultima 16000II models feature the new GLV™ imaging head, and the top productivity of the flagship model, the PlateRite Ultima 16000IIZ, is an impressive 31 plates per hour*.

In addition to increased speed, the new PlateRite Ultima 16000II incorporates a number of innovative technologies that help ensure consistent, high quality even when imaging onto the largest supported plates.

The entry model PlateRite 16000IIE can be upgraded to higher speed S and Z models in the field.

*1,448 x 1,143 mm plates at 2,400 dpi



Advanced technology for high-speed, high-precision output

Compatible with a variety of plate sizes

The PlateRite Ultima 16000II can image onto a variety of plate formats, from 4-up to 16-up A4 pages (650 x 550 mm [25.6" x 21.7"])* to 1,470 x 1,165 mm [57.8" x 45.8"]), making it suitable for a wide range of uses.

* Small-size plate support (minimum size 450 x 370 mm [17.8" x 14.6"]) is available as a factory option.

The newest 512-channel imaging head

The PlateRite Ultima 16000II features a 512-channel GLV™ imaging head that makes it possible to output even large plates at high speed. The imaging head's high power laser images a wide swathe with each rotation of the drum, which results in superior productivity. In fact, the PlateRite 16000IIZ can output an impressive 31 plates per hour (1,448 x 1,143 mm [57" x 45"] plates at 2,400 dpi).

Autofocus

The PlateRite Ultima 16000II features an autofocus function that helps prevent inconsistencies resulting from variations in plate type and thickness and eliminates artifacts caused by the way the plate is wrapped around the drum. Autofocus allows the recorder to create consistently sharp, well-delineated halftone dots and ensures superior image quality at all times.

Automatic inline punching

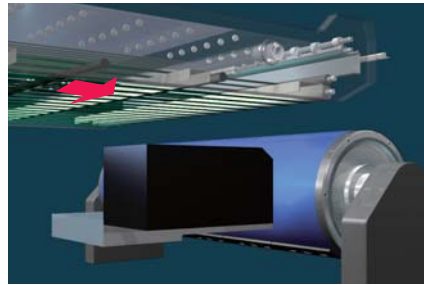
The PlateRite Ultima 16000IIZ/S comes standard with an inline punching system (available as an option for the 16000IIE). Up to 10 optional punch blocks can be selected. High-precision punching is carried out immediately after the plates are loaded onto the drum, which both eliminates the work involved in punching plates at a later stage of the workflow and makes it easier to achieve superior register on press. The reduction in preparation time at the printing press also improves press operating ratios and increases overall productivity.

Reliable automated plate loading and unloading

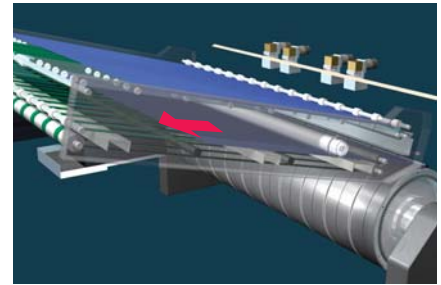
The PlateRite Ultima 16000II Computer-to-Plate (CtP) system is fully compatible with large size plates, and features a proven plate handling system that makes it easy to create a fully automated plate production line. Automated plate loading, imaging, and unloading improve the efficiency of your entire CtP system. Dainippon Screen's multi-cassette autoloader (option) features up to four cassettes that can each hold up to 100 plates*, allowing the system to supply up to 400 plates without operator involvement. You can even put different sizes of plates in each cassette, to improve efficiency when switching between jobs with different plate formats.

*Up to 75 plates (0.3 mm [11.8 mil] thickness) per cassette, when using the three-cassette autoloader.

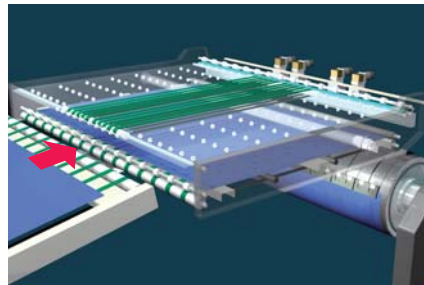
Cutting-edge media handling



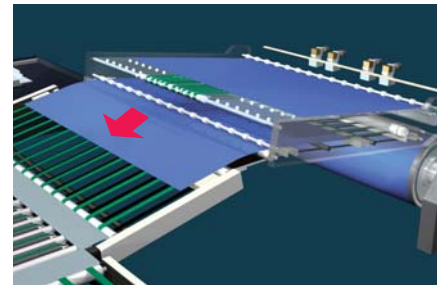
1 While the current plate is being exposed, the plate scheduled to be exposed next is punched and then moved to the standby cassette's upper tray.



2 The plate that was just exposed is transferred to the standby cassette's lower tray. The plate scheduled to be exposed next is punched and then moved to the standby cassette's upper tray.



3 The plate that was in the standby cassette's upper tray is wrapped around the drum, and the next plate is transferred to the standby cassette's upper tray.



4 While the plate is being exposed, the plate scheduled to be exposed next is punched and then moved to the standby cassette's upper tray. The plate that was just exposed is transferred from the standby cassette's lower tray to the automatic inline developer.

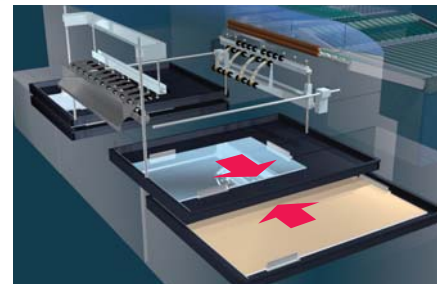
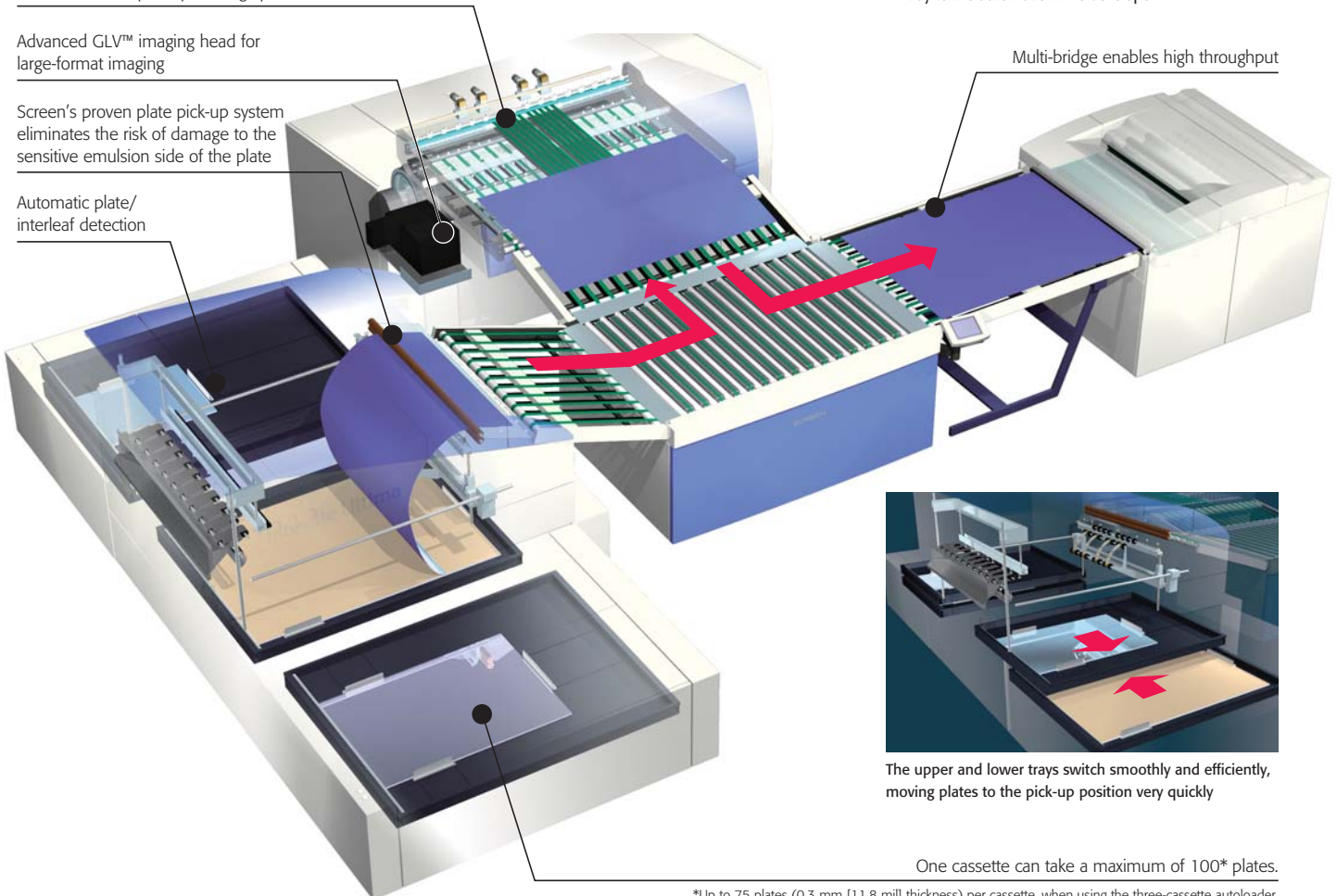
Automatic inline press punching system

Advanced GLV™ imaging head for large-format imaging

Screen's proven plate pick-up system eliminates the risk of damage to the sensitive emulsion side of the plate

Automatic plate/interleaf detection

Multi-bridge enables high throughput

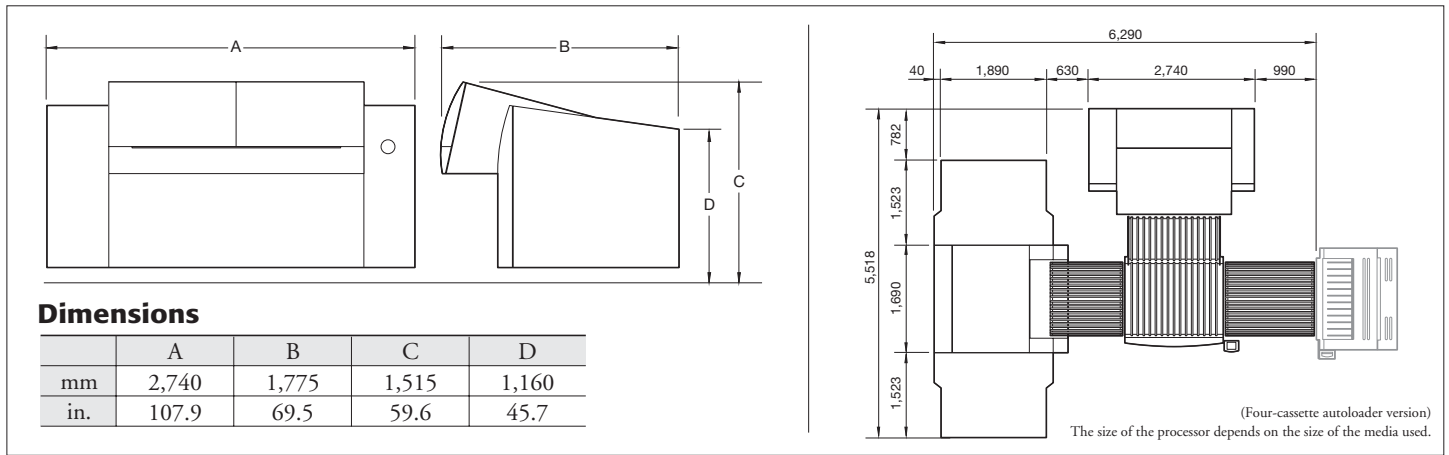


The upper and lower trays switch smoothly and efficiently, moving plates to the pick-up position very quickly

One cassette can take a maximum of 100* plates.

*Up to 75 plates (0.3 mm [11.8 mil] thickness) per cassette, when using the three-cassette autoloader.

Space requirements



Dimensions

	A	B	C	D
mm	2,740	1,775	1,515	1,160
in.	107.9	69.5	59.6	45.7

PlateRite Ultima 16000II Specifications (main unit)

Product name	PlateRite Ultima 16000IIZ	PlateRite Ultima 16000IIS	PlateRite Ultima 16000IIE
Recording system	External drum		
Light source	512-channel laser diode		
Plate size*1	Maximum: 1,470 x 1,165 mm (57.8" x 45.8"); Minimum: 650 x 550 mm (25.6" x 21.7")		
Exposure size*2	1,470 x 1,154 mm (57.8" x 45.4") (Leading edge gripper margin: 6 mm [0.24"]; Trailing edge gripper margin: 5 mm [0.20"])	1,470 x 1,154 mm (Leading edge gripper margin: 6 mm [0.24"]; Trailing edge gripper margin: 5 mm [0.20"])	1,470 x 1,157 mm (Leading edge gripper margin: 3 mm [0.12"]; Trailing edge gripper margin: 5 mm [0.20"])
Media	Thermal plates		
Media thickness	0.2 to 0.4 mm (7.9" x 15.7")		
Resolution*3	1,200/2,400/2,438/2,540 dpi		
Repeatability*4	5 microns		
Productivity*5	31 plates per hour (1,448 x 1,143 mm (57" x 45") plates at 2,400 dpi)	25 plates per hour (1,448 x 1,143 mm (57" x 45") plates at 2,400 dpi)	17 plates per hour (1,448 x 1,143 mm (57" x 45") plates at 2,400 dpi)
Punch systems	Standard punch		Punchless
Interface	F-PIF/S-PIF (LS-313 cannot be used with S-PIF)		
Dimensions (W x D x H)	Main unit: 2,740 x 1,775 x 1,515 mm (107.8" x 69.8" x 59.6")		
Weight	Main unit: 1,640 kg (3608 lb); Blower unit: 85 kg (187 lb); Cooling unit: 79 kg (173.8")		
Power requirements	Main unit: Single phase 200 to 230 V ±10%, 240 V +6%/-10%, 5 kW, 25 A; Blower unit: Single phase 200 to 240 V +6%/-10% 1 kW 10 A; Cooling unit: Single phase 200 to 240 V ±10%, 3 kW, 15 A		
Environment	Recommended temperature range: 21 to 25°C; Recommended relative humidity range: 50 to 70%; Operating temperature range: 18 to 26°C; Operating relative humidity range: 40 to 70%		
Optional	Punch systems (Screen, Heidel, Heidelbach W, Protocol, Komori, and others.), standard punch (for E model), signal tower unit, small-size plate support option (factory option), high-speed upgrade		

*1 One of the specification options shown below must be selected for the PlateRite Ultima 16000II. Small-size plate (450 x 370 mm [17.7" x 14.5"]) support is available as a factory option.

*2 If the punchless option is selected, the leading edge gripper margin is 3 mm (0.12"), and the trailing edge gripper margin is 5 mm (0.20").

*3 1,200 dpi uses 2,400 dpi double dots. *4 Over four consecutive exposures on a single plate (temperature: 23°C; relative humidity: 60%). *5 Productivity may vary depending on the sensitivity of the media.

Setup table specifications

Plate transport	Manual loading, manual unloading (interleaf paper must be removed manually)
Dimensions (W x D x H)	2,740 x 3,130 x 1,515 mm (107.8" x 123.2" x 59.6")
Weight	1,740 kg (3828 lb) (for both main unit and AT-M)
Power requirements	Power supplied by main unit

Two-cassette/Three-cassette autoloader specifications

Plate transport	Fully automated (automatic interleaf paper removal)
Plate cassettes	Two-cassette: Max. 100 plates/cassette; Three-cassette: Max. 75 plates/cassette
No. of cassettes	2 or 3
Dimensions (W x D x H)	6,290 x 3,995 x 1,680 mm (247.6" x 157.2" x 66.1")
Weight	Two-cassette: Approx. 2,995 kg (6589 lb) (for both main unit and AT-M) Three-cassette: Approx. 3,140 kg (6908 lb) (for both main unit and AT-M)
Power requirements	Power supplied by main unit

Semi-auto specifications

Plate transport	Manual loading, manual unloading (interleaf paper must be removed manually)
Dimensions (W x D x H)	3,735 x 3,995 x 1,515 mm (147" x 157.2" x 59.6")
Weight	1,990 kg (4378 lb) (for both main unit and AT-M)
Power requirements	Power supplied by main unit

Four-cassette autoloader specifications

Plate transport	Fully automated (automatic interleaf paper removal)
Plate cassettes	Max. 100 plates/cassette
No. of cassettes	4 (2 cassettes on each side)
Dimensions (W x D x H)	6,290 x 5,518 x 1,680 mm (247.6" x 214.4" x 66.1") (with standard accessories)
Weight	Approx. 3,385 kg (133.2 lb) (for both main unit and AT-M)
Power requirements	Power supplied from main unit

Note: The PlateRite Ultima 16000II specification should be chosen from one of the above.

DAINIPPON SCREEN MFG. CO., LTD.

HEAD OFFICE

• Teranouchi-agaru 4-chome, Horikawa-dori, Kamigyo-ku, Kyoto, 602-8585 Japan/Phone +81-75-414-7610/Fax +81-75-414-7608

SCREEN (USA)

• 5110 Tollview Dr., Rolling Meadows, IL 60008, USA/Phone 847-870-7400/Fax 847-870-0149 www.screenusa.com

DAINIPPON SCREEN (DEUTSCHLAND) GmbH

• Mündelheimer Weg 39, 40472 Düsseldorf, Germany/Phone 0211-472701/Fax 0211-4727199/Telex 858-4438 DSDD D

DAINIPPON SCREEN (U.K.) LTD.

• Michigan Drive, Tongwell, Milton Keynes, Buckinghamshire MK15 8HT, UK/Phone 01908-848500/Fax 01908-848501 www.screen.co.uk

DAINIPPON SCREEN (NETHERLAND) BV

• Bouwerij 45, 1185 XX Amstelveen, Holland/Phone 020-4567800/Fax 020-4567805 www.screeneurope.com

SCREEN FRANCE

• Z.I. Paris Nord II, 12 Rue des Chardonnerets, B.P. 50315, F-95940 ROISSY C.D.G. Cedex, France/Phone 1-48-17-86-00/Fax 1-48-17-86-01

DAINIPPON SCREEN SINGAPORE PTE. LTD.

• 29, Kaki Bukit View, Kaki Bukit Techpark II, Singapore 419833/Phone 67493833/Fax 67499010 www.screensp.com.sg

DAINIPPON SCREEN (CHINA) LTD.

• 6th Floor, 414 Kwun Tong Road, Kwun Tong, Kowloon, Hong Kong/Phone 2953-0038/Fax 2755-8683

Beijing office/Phone 010-6708-9271, 9272, 9273/Fax 010-6708-9395

Shanghai office/Phone 021-6466-4501/Fax 021-6466-4503

Guangzhou office/Phone 020-3891-1112/Fax 020-3891-1036

DAINIPPON SCREEN (TAIWAN) CO., LTD.

• 4F No. 126-1, Ming Tsu West Rd., Taipei, Taiwan/Phone 02-25862711/Fax 02-25914367

DAINIPPON SCREEN (KOREA) CO., LTD.

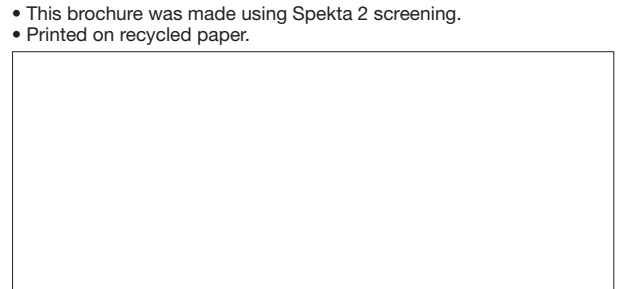
• 8th Yonsel Bongnae B/D 48-3, 1Ga, Songnae-Dong, Jooong-Gu, Seoul 100-161, Korea/Phone 02-7766-786/Fax 02-7766-787

DAINIPPON SCREEN (AUSTRALIA) PTY. LTD.

• Unit 2, 207-209 Young Street, Waterloo, NSW 2017, Australia/Phone 02-9310-1314/Fax 02-9310-3566

Internet web site : www.screen.co.jp
www.screenusa.com
www.screeneurope.com

- Grating Light Valve™ and GLV™ are trademarks of Silicon Light Machines.
- All other trademarks and registered trademarks used herein are the property of their respective owners.



We reserve the right to alter product design and specifications without prior notice.

No.205-109E Printed in Japan 09-07 040FSI(R1-1)

SCREEN

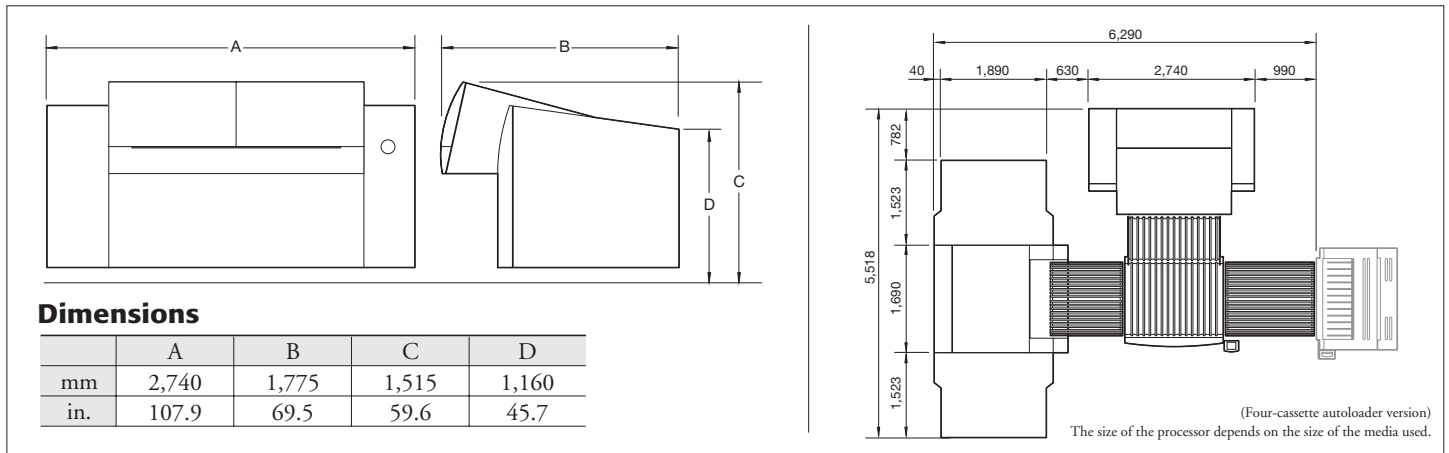
PlateRite Ultima 16000II

Thermal Plate Recorders



Creating a Future in Print

Space requirements



PlateRite Ultima 16000II Specifications (main unit)

Product name	PlateRite Ultima 16000IIZ	PlateRite Ultima 16000IIS	PlateRite Ultima 16000IIE
Recording system	External drum		
Light source	512-channel laser diode		
Plate size*1	Maximum: 1,470 x 1,165 mm (57.8" x 45.8"); Minimum: 650 x 550 mm (25.6" x 21.7")		
Exposure size*2	1,470 x 1,154 mm (57.8" x 45.4") (Leading edge gripper margin: 6 mm [0.24"]; Trailing edge gripper margin: 5 mm [0.20"])	1,470 x 1,154 mm (Leading edge gripper margin: 6 mm [0.24"]; Trailing edge gripper margin: 5 mm [0.20"])	1,470 x 1,157 mm (Leading edge gripper margin: 3 mm [0.12"]; Trailing edge gripper margin: 5 mm [0.20"])
Media	Thermal plates		
Media thickness	0.2 to 0.4 mm (7.9" x 15.7")		
Resolution*3	1,200/2,400/2,438/2,540 dpi		
Repeatability*4	5 microns		
Productivity*5	31 plates per hour (1,448 x 1,143 mm (57" x 45") plates at 2,400 dpi)	25 plates per hour (1,448 x 1,143 mm (57" x 45") plates at 2,400 dpi)	17 plates per hour (1,448 x 1,143 mm (57" x 45") plates at 2,400 dpi)
Punch systems	Standard punch		Punchless
Interface	F-PIF/S-PIF (LS-313 cannot be used with S-PIF)		
Dimensions (W x D x H)	Main unit: 2,740 x 1,775 x 1,515 mm (107.8" x 69.8" x 59.6")		
Weight	Main unit: 1,640 kg (3608 lb); Blower unit: 85 kg (187 lb); Cooling unit: 79 kg (173.8")		
Power requirements	Main unit: Single phase 200 to 230 V ±10%, 240 V +6%/-10%, 5 kW, 25 A; Blower unit: Single phase 200 to 240 V +6%/-10% 1 kW 10 A; Cooling unit: Single phase 200 to 240 V ±10%, 3 kW, 15 A		
Environment	Recommended temperature range: 21 to 25°C; Recommended relative humidity range: 50 to 70%; Operating temperature range: 18 to 26°C; Operating relative humidity range: 40 to 70%		
Optional	Punch systems (Screen, Heidel, Heidelbach W, Protocol, Komori, and others.), standard punch (for E model), signal tower unit, small-size plate support option (factory option), high-speed upgrade		

*1 One of the specification options shown below must be selected for the PlateRite Ultima 16000II. Small-size plate (450 x 370 mm [17.7" x 14.5"]) support is available as a factory option.

*2 If the punchless option is selected, the leading edge gripper margin is 3 mm (0.12"), and the trailing edge gripper margin is 5 mm (0.20").

*3 1,200 dpi uses 2,400 dpi double dots. *4 Over four consecutive exposures on a single plate (temperature: 23°C; relative humidity: 60%). *5 Productivity may vary depending on the sensitivity of the media.

Setup table specifications

Plate transport	Manual loading, manual unloading (interleaf paper must be removed manually)
Dimensions (W x D x H)	2,740 x 3,130 x 1,515 mm (107.8" x 123.2" x 59.6")
Weight	1,740 kg (3828 lb) (for both main unit and AT-M)
Power requirements	Power supplied by main unit

Two-cassette/Three-cassette autoloader specifications

Plate transport	Fully automated (automatic interleaf paper removal)
Plate cassettes	Two-cassette: Max. 100 plates/cassette; Three-cassette: Max. 75 plates/cassette
No. of cassettes	2 or 3
Dimensions (W x D x H)	6,290 x 3,995 x 1,680 mm (247.6" x 157.2" x 66.1")
Weight	Two-cassette: Approx. 2,995 kg (6589 lb) (for both main unit and AT-M) Three-cassette: Approx. 3,140 kg (6908 lb) (for both main unit and AT-M)
Power requirements	Power supplied by main unit

Semi-auto specifications

Plate transport	Manual loading, manual unloading (interleaf paper must be removed manually)
Dimensions (W x D x H)	3,735 x 3,995 x 1,515 mm (147" x 157.2" x 59.6")
Weight	1,990 kg (4378 lb) (for both main unit and AT-M)
Power requirements	Power supplied by main unit

Four-cassette autoloader specifications

Plate transport	Fully automated (automatic interleaf paper removal)
Plate cassettes	Max. 100 plates/cassette
No. of cassettes	4 (2 cassettes on each side)
Dimensions (W x D x H)	6,290 x 5,518 x 1,680 mm (247.6" x 214.4" x 66.1") (with standard accessories)
Weight	Approx. 3,385 kg (133.2 lb) (for both main unit and AT-M)
Power requirements	Power supplied from main unit

Note: The PlateRite Ultima 16000II specification should be chosen from one of the above.

DAINIPPON SCREEN MFG. CO., LTD.

HEAD OFFICE

• Teranouchi-agaru 4-chome, Horikawa-dori, Kamigyo-ku, Kyoto, 602-8585 Japan/Phone +81-75-414-7610/Fax +81-75-414-7608

SCREEN (USA)

• 5110 Tollview Dr., Rolling Meadows, IL 60008, USA/Phone 847-870-7400/Fax 847-870-0149 www.screenusa.com

DAINIPPON SCREEN (DEUTSCHLAND) GmbH

• Mündelheimer Weg 39, 40472 Düsseldorf, Germany/Phone 0211-472701/Fax 0211-4727199/Telex 858-4438 DSDD D

DAINIPPON SCREEN (U.K.) LTD.

• Michigan Drive, Tongwell, Milton Keynes, Buckinghamshire MK15 8HT, UK/Phone 01908-848500/Fax 01908-848501 www.screen.co.uk

DAINIPPON SCREEN (NETHERLAND) BV

• Bouwerij 45, 1185 XX Amstelveen, Holland/Phone 020-4567800/Fax 020-4567805 www.screeneurope.com

SCREEN FRANCE

• Z.I. Paris Nord II, 12 Rue des Chardonnerets, B.P. 50315, F-95940 ROISSY C.D.G. Cedex, France/Phone 1-48-17-86-00/Fax 1-48-17-86-01

DAINIPPON SCREEN SINGAPORE PTE. LTD.

• 29, Kaki Bukit View, Kaki Bukit Techpark II, Singapore 411963/Phone 67493833/Fax 67499010 www.screensp.com.sg

DAINIPPON SCREEN (CHINA) LTD.

• 6th Floor, 414 Kwun Tong Road, Kwun Tong, Kowloon, Hong Kong/Phone 2953-0038/Fax 2755-8683

Beijing office/Phone 010-6708-9271, 9272, 9273/Fax 010-6708-9395

Shanghai office/Phone 021-6466-4501/Fax 021-6466-4503

Guangzhou office/Phone 020-3891-1112/Fax 020-3891-1036

DAINIPPON SCREEN (TAIWAN) CO., LTD.

• 4F No. 126-1, Ming Tsu West Rd., Taipei, Taiwan/Phone 02-25862711/Fax 02-25914367

DAINIPPON SCREEN (KOREA) CO., LTD.

• 8th Yonsel Bongnae B/D 48-3, 1Ga, Songnae-Dong, Jooong-Gu, Seoul 100-161, Korea/Phone 02-7766-786/Fax 02-7766-787

DAINIPPON SCREEN (AUSTRALIA) PTY. LTD.

• Unit 2, 207-209 Young Street, Waterloo, NSW 2017, Australia/Phone 02-9310-1314/Fax 02-9310-3566

Internet web site : www.screen.co.jp

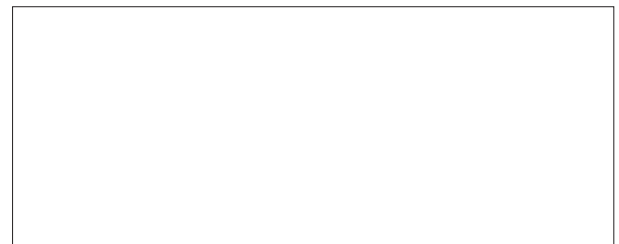
www.screenusa.com

www.screeneurope.com

• Grating Light Valve™ and GLV™ are trademarks of Silicon Light Machines.

• All other trademarks and registered trademarks used herein are the property of their respective owners.

- This brochure was made using Spekta 2 screening.
- Printed on recycled paper.



We reserve the right to alter product design and specifications without prior notice.

No.205-109A Printed in Japan 09-07 020FSI(R1-1)